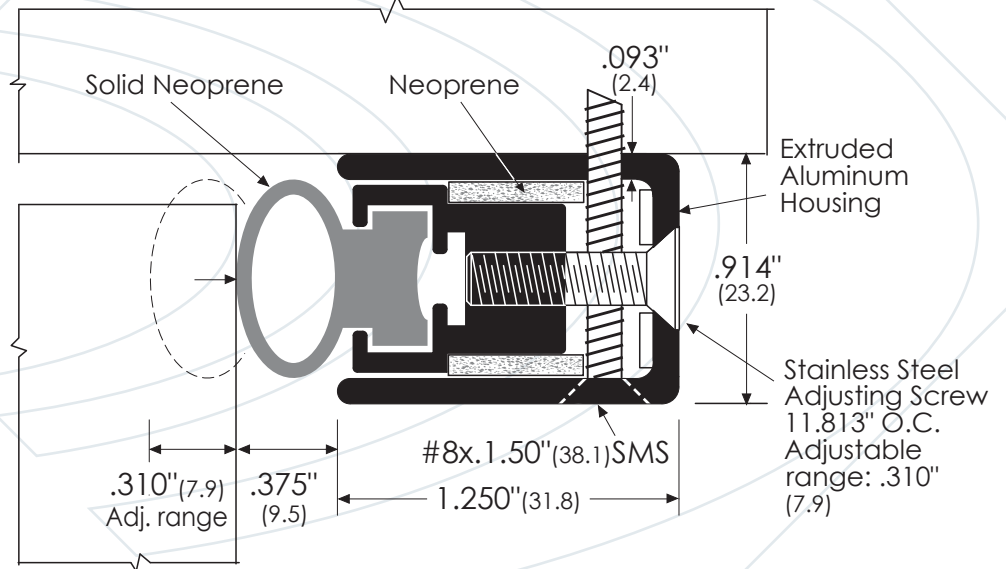
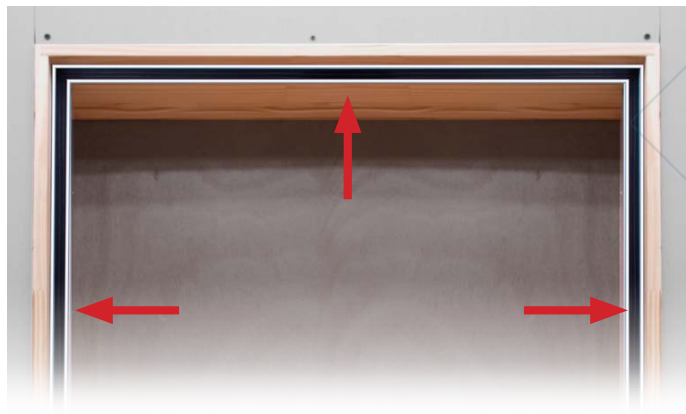


## Adjustable Sealing Jamb #770



Secured directly to the door jamb, this acoustical gasket features our unique Compress-O-Matic™ design with a sound-absorbing neoprene bulb that compresses to form a tight seal as the door is closed. It includes adjusting screws for field correction of irregular clearances that might compromise actual sound performance. When used with a metal cased-opening frame, the #770 offers the added benefit of eliminating the need for an additional frame stop—and its unaesthetic projection into the door opening.

The gasket is also listed for use with both wood and metal acoustical doors with fire listings ranging from 20 to 90 minutes under both negative and positive-pressure testing standards. Its exceptional engineering, design features and performance have made the #770 our long-time favorite for acoustical engineers and specifier.



The Soundproofing Company presents these construction concepts with the understanding that local Building Codes vary. It is the Model #770-AA responsibility of the installer to ensure that these concepts meet local Building Code. The Soundproofing Company is not liable for mis-installation or non-compliance with local code.

Sales and support (800) 397-8791

[www.soundproofingcompany.com](http://www.soundproofingcompany.com)

[info@soundproofingcompany.com](mailto:info@soundproofingcompany.com)